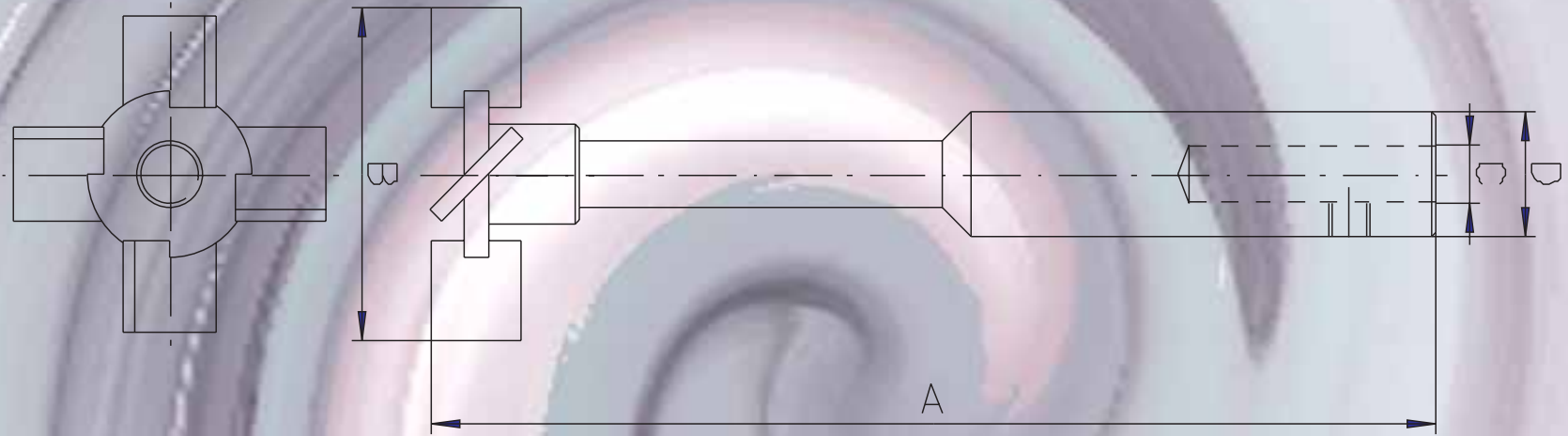
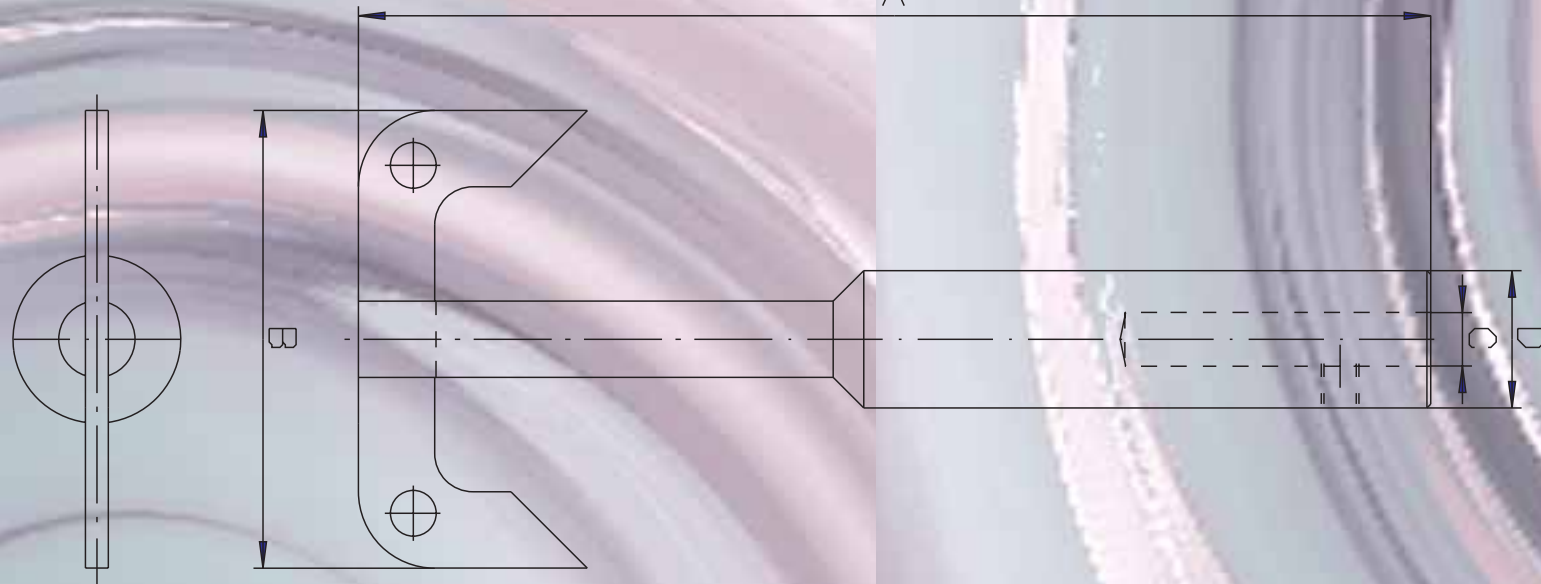


Whether homogenizing, dispersing or suspending, our Premex reactor ag stirrer programme far exceeds the performance of diagonal blade stirrers anchor stirrers and disk blade stirrers. We can adapt helical stirrers etc. for individual reactors upon request.



Diagonal blade stirrer tyüe SBR 1-3

Type	SBR1	SBR1	SBR1	SBR2	SBR2	SBR2	SBR3	SBR3	SBR3
Art. Nr.	1.38160.44	1.38180.44	1.38240.44	2.60180.44	2.60240.44	2.60280.44	3.80240.44	3.80280.44	3.80340.44
or HC	.HC22	.HC22	.HC22	.HC22	.HC22	.HC22	.HC22	.HC22	.HC22
Material	1.4435	1.4435	1.4435	1.4435	1.4435	1.4435	1.4435	1.4435	1.4435
WNr. / AISI	AISI 316 L	AISI 316 L	AISI 316 L	AISI 316 L	AISI 316 L	AISI 316 L	AISI 316 L	AISI 316 L	AISI 316 L
or HC	HC22	HC22	HC22	HC22	HC22	HC22	HC22	HC22	HC22
A mm	160	180	240	180	240	280	240	280	340
B ø mm	38	38	38	60	60	60	80	80	80
C ø mm	7	7	7	7	7	7	12	12	12
D ø mm	18	18	18	18	18	18	22	22	22



Anchor stirrer type AR 1-3

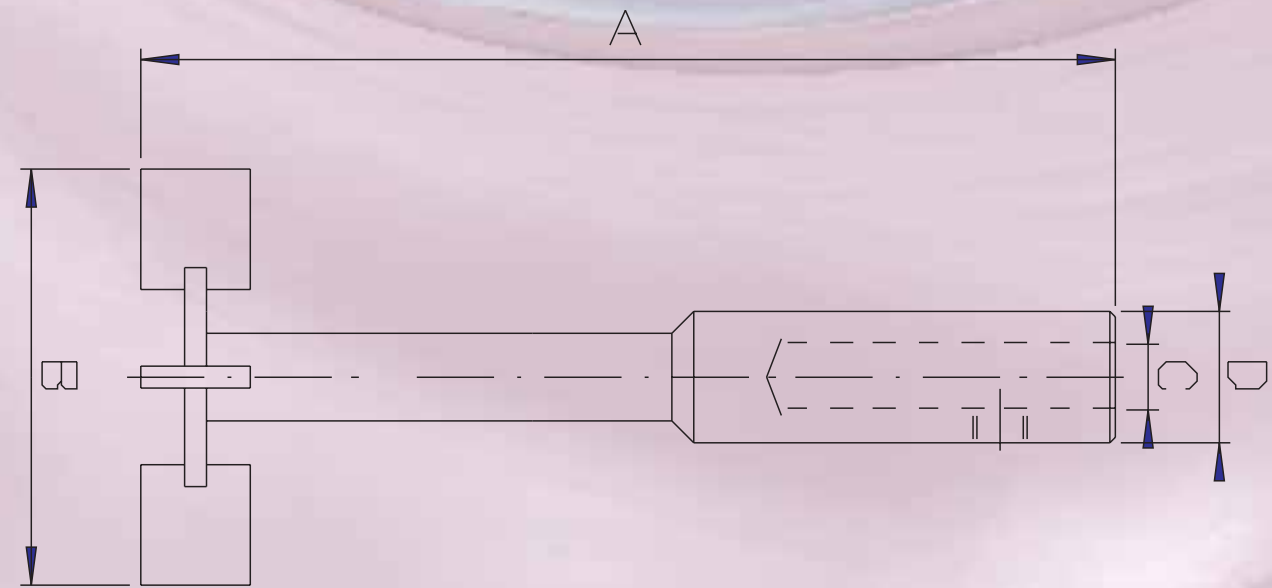
Type	AR1	AR1	AR1	AR2	AR2	AR2	AR3	AR3	AR3
Art. Nr.	1.38160.44	1.38180.44	1.38240.44	2.60180.44	2.60240.44	2.60280.44	3.80240.44	3.80280.44	3.80340.44
or HC	.HC22	.HC22	.HC22	.HC22	.HC22	.HC22	.HC22	.HC22	.HC22
Material	1.4435	1.4435	1.4435	1.4435	1.4435	1.4435	1.4435	1.4435	1.4435
WNr. / AISI	AISI 316 L	AISI 316 L	AISI 316 L	AISI 316 L	AISI 316 L	AISI 316 L	AISI 316 L	AISI 316 L	AISI 316 L
or HC	HC22	HC22	HC22	HC22	HC22	HC22	HC22	HC22	HC22
A mm	160	180	240	180	240	280	240	280	340
B ø mm	38	38	38	60	60	60	80	80	80
C ø mm	7	7	7	7	7	7	12	12	12
D ø mm	18	18	18	18	18	18	22	22	22

Disk blade stirrer type SR 1-3

Type	SR1	SR1	SR1	SR2	SR2	SR2	SR3	SR3	SR3
Art. Nr.	1.38160.44	1.38180.44	1.38240.44	2.60180.44	2.60240.44	2.60280.44	3.80240.44	3.80280.44	3.80340.44
or HC	.HC22	.HC22	.HC22	.HC22	.HC22	.HC22	.HC22	.HC22	.HC22
Material	1.4435	1.4435	1.4435	1.4435	1.4435	1.4435	1.4435	1.4435	1.4435
WNr. / AISI	AISI 316 L	AISI 316 L	AISI 316 L	AISI 316 L	AISI 316 L	AISI 316 L	AISI 316 L	AISI 316 L	AISI 316 L
or HC	HC22	HC22	HC22	HC22	HC22	HC22	HC22	HC22	HC22
A mm	160	180	240	180	240	280	240	280	340
B ø mm	38	38	38	60	60	60	80	80	80
C ø mm	7	7	7	7	7	7	12	12	12
D ø mm	18	18	18	18	18	18	22	22	22

stirrers

diagonal blade stirrer, anchor stirrer and diskblade stirrer



Material

All three stirrer systems are supplied in high-grade steel or Hastelloy C22 (C4, C276, HB2, etc.). Titanium or monel metal stirrers are also available.

Dimensions

The length A and the central connection C of the stirrers can be customised to meet individual customer requirements.

stirrers

stirrers



delivery address
correspondence address
phone
fax
internet
e-mail

premex reactor ag
industriestrasse 11
p.o. box 444
2543 lengnau/switzerland
+41 (0)32 653 01 52
+41 (0)32 652 11 80
www.premex-reactorag.ch
office@premex-reactorag.ch

